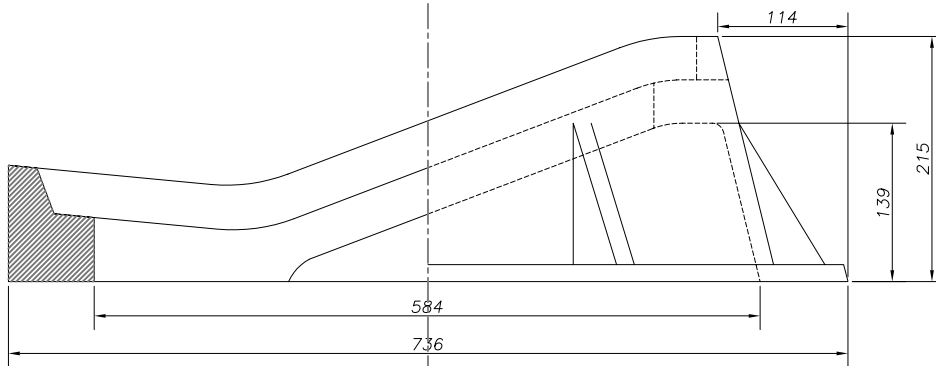


PLAN OF FRAME



SECTION "A-A"

TROJAN MODEL TF-33 OR APPROVED EQUIVALENT

Xref C:\data\CAD\DRAWINGS\BLOCKS\citylogo.dwg

2	City	Drawings revised	02/99
1	Usf	Original drawings created	04/96
No.	By	Revisions	Date

**MOUNTABLE CURB
CATCH BASIN
FRAME DETAIL**

Date: February 12/99	Scale: N.T.S	Dwg. No. F-3B
Drawn by: Bob Smith	Cad file: c:\..\drawings\standard\By_F3B	